

Model Number: 3-PT 42

Serial Number: _____

THE HURRICANE

3-PT 42 DITCHER



HURRICANE DITCHER CO., INC.

2425 Cathlinette Rd.
Vincennes, IN 47591

812-886-9663 Fax 812-886-0530

www.hurricane-ditcher.com

E-mail: info@hurricane-ditcher.com



TABLE OF CONTENTS

INTRODUCTION 2

SPECIFICATIONS OF THE 3-PT 42..... 2

SAFETY PRECAUTIONS 2-3

WARNING LABELS & ILLUSTRATION..... 3-4

TRANSPORTATION..... 5

USING THE 3-PT 42 5

CHECKLIST BEFORE OPERATION..... 5-6

OPERATING INSTRUCTIONS 6

UNHITCHING FROM TRACTOR..... 7

MAINTENANCE 7

LUBRICATION 7-8

FREE MOVEMENT OF DRIVELINE 8

IDLER ADJUSTMENT 9

LIMITED WARRANTY 10

STRUCTURAL COMPONENTS & ILLUSTRATION 11-12

MECHANICAL COMPONENTS & ILLUSTRATION 13-14

OPTIONAL COMPONENTS & ILLUSTRATION 15-16

MAINTENANCE LOG..... 17

NOTES..... 18



CAUTION!!!!

- Read the Operator’s Manual.
- Learn to operate this machine SAFELY.
- Be alert. Observe ALL Safety Practices.
- Machines can be hazardous in the hands of an UNFAMILIAR, UNTRAINED or COMPLACENT operator.
- Do not risk INJURY or DEATH!

INTRODUCTION

Thank you and congratulations on the purchase of your Hurricane Ditcher 3-PT 42. We certainly hope that it will be helpful and useful to you. As with all of our ditchers, it has been tested and built with knowledge, precision, and quality for years of dependable service. As a leader in the ditching industry since 1984, we continually build on our experience and use customer feedback to maintain and improve the quality and dependability of our machines.

In order to fulfill a need in agriculture, the 3-PT 42 was developed in 2006 as an efficient and affordable machine to make surface drainage ditches, to construct and clean waterways and to build and maintain terraces using a standard farm tractor. Whatever your application, we hope it works well for you.

Please read and follow all safety precautions, operating procedures and maintenance requirements. Following these recommendations will prevent injury and operation down time. Proper maintenance and lubrication will prevent machine breakdown and increase its life expectancy, which will lead to better performance for you.

Please let us know of any comments, suggestions, or problems that may arise.

HURRICANE DITCHER CO., INC.
2425 Cathlinette Road
Vincennes, IN 47591
812-886-9663
www.hurricane-ditcher.com
info@hurricane-ditcher.com

YOUR AUTHORIZED HURRICANE DITCHER DEALER:

SPECIFICATIONS OF THE MODEL 3-PT 42

- HP required: 125 to 225 HP on 1000 RPM PTO
- Width of cut: 42 inches at 21 inches deep
- Depth of cut: up to 10 inches in a single pass; up to 27 inches in multiple passes
- Weight of machine: approximately 3,700 pounds with single tail wheel assembly; approximately 4,200 pounds with double tail wheel assembly
- Drive train: 55 series PTO with shear bolts which overload at the tractor end; double 80 roller chain with idler adjustment
- Certain brands of tractors could require different length PTO and/or hydraulic hoses. Contact your dealer for detailed specifications.

SAFETY PRECAUTIONS



OBSERVE THIS SYMBOL THROUGHOUT THIS MANUAL. It calls out potential hazards and dangers. This symbol will be associated with a key SIGNAL WORD that will designate a degree or level of hazard seriousness. These signal words are as follows:



DANGER! Indicates an imminently hazardous situation that, if not avoided, **WILL** result in death or serious injury; a danger that safety guards cannot protect against.



WARNING! Indicates a potentially hazardous situation that, if not avoided, **COULD** result in death or serious injury, and includes hazards that are exposed when guards are removed; also an alert to unsafe practices.



CAUTION! Indicates a potentially hazardous situation that, if not avoided, **MAY** result in minor or moderate injury; also an alert to unsafe practices.

INTENDED USE: 3-PT 42 is designed to be pulled by a ROPS- equipped tractor of proper size. It is not to be used in any other purpose other than its intended use.

BEFORE OPERATION:

- Carefully study and understand this manual. Be sure the operator has read and understands all operations before using this machine.
- Do not wear loose-fitting clothing which may catch in moving parts.
- Learn to operate this machine safely. Be alert and observe all safety practices. Machines can be hazardous in the hands of an unfamiliar, untrained or complacent operator. Never risk injury or death!
- After servicing, be sure all tools and servicing equipment have been removed from the machine.
- Be certain there is no one near the machine before starting.
- Do not stand under or near terracing shield.
- Do not use the ditcher until you are **certain** that the area in which you are preparing to work is clear. Be especially watchful for people, animals and moving vehicles that may enter the discharge path. Remember, soil may be thrown over 60 feet. Rocks and other debris may go farther, so use extreme caution in any area with buildings or objects that could be damaged from flying debris.



WARNING! Do not operate this machine above 1000 RPM. Excessive speed of PTO can be dangerous and could cause personal injury or damage to your tractor or ditcher.



WARNING! Do not exceed recommended horsepower (225 HP or less) for this machine. Excessive horsepower can be dangerous.

- Before each use, inspect the lower shaft behind the impeller wheel for material wrapped around shaft. Failure to keep shaft clear could result in bearing failure and is not covered under warranty.

DURING OPERATION:

- Keep all shields in place.
- Allow no one to stand on the left side (discharge side) of the machine while it is in operation, whether it is moving or standing still.
- **NO PASSENGERS ALLOWED!** Do not allow anyone to ride on ditcher at any time.
- Keep clear of all moving parts.
- Disengage the PTO and shut off tractor engine before servicing, cleaning or clearing a clogged machine.
- Avoid overhead wires; contact could cause serious injury or death.

WARNING LABELS & ILLUSTRATION

Your 3-PT 42 comes equipped with all safety labels in place. These safety labels are designed to help you safely operate your equipment. They inform you about possible hazards associated with the normal operation or foreseeable misuse of the product and how to properly avoid those hazards to prevent physical injury or death. You are required to read and follow their directions.

1. Keep all safety labels clean and legible.
2. Replace all damaged or missing labels.
3. New equipment installed during repairs may require replacement safety labels to be affixed or replaced part, if missing, as specified by Hurricane Ditcher Co.
4. Contact your local dealer to order replacement labels.
5. Refer to this section for proper label placement. When installing new labels:
 - a. Clean placement surface with soapy water or surface cleaning solution and allow to dry.
 - b. Peel backing from label, carefully center and place label in proper location ensuring no creases or air pockets
 - c. Press label firmly onto the surface and use a straight edge to smooth the label on the machine for a secure adhesion

<u>ITEM</u>	<u>PART #</u>	<u>DESCRIPTION</u>
A1	009040	<u>WARNING</u> – KEEP ALL SHIELDS IN PLACE
B1	009060	<u>WARNING</u> – DANGER OF FALLING DEBRIS
C1	009010	<u>DANGER</u> – STAY CLEAR OF MACHINE WHEN IN OPERATION
D1	009020	<u>DANGER</u> – ROTATING DRIVE LINE

Note: Manufacturer will replace decals upon request when worn, damaged or missing.

WARNING

1. Keep all shields in place.
2. Disengage PTO and shut off engine before servicing, cleaning, or clearing a clogged machine.
3. Keep hands, feet and clothing away from all moving parts.
4. Allow no riders on this equipment at any time.
5. Learn to operate this machine safely, be alert, observe all safety practices. Machines can be hazardous in the hands of an unfamiliar, untrained or complacent operator. Do not risk injury or death.
6. Allow no one to stand on left side (discharge side) of machine while it is in operation - either when it is moving or standing still.
7. When machine is in operation keep in mind soil, roots, rocks, etc. may be thrown up to 150 feet or more out discharge side, causing damage to any object or harm to any person within it's range.
8. It is recommended that PTO be disengaged when turning at ends of field. Do not make sharp turns while PTO is turning.
9. Be sure to keep slip portion of PTO shaft well lubricated.



A1

WARNING

DANGER of FALLING DEBRIS from Overhead Shield.

Stay CLEAR of Terracing Shield at ALL Times!



B1

DANGER

STAY CLEAR OF MACHINE WHEN IN OPERATION

C1



D1

DANGER

ROTATING DRIVE LINE

FAILURE TO HEED THESE WARNINGS MAY RESULT IN PERSONAL INJURY OR DEATH.

KEEP CLOTHING, YOURSELF, AND OTHERS WELL CLEAR. DO NOT OPERATE UNLESS PTO GUARDS, TRACTOR MASTER SHIELD, AND IMPLEMENT GUARDS ARE IN PLACE.

PTO GUARDS MUST TURN FREELY AND BE PROPERLY ATTACHED AND MAINTAINED.

"U" JOINT YOKES MUST BE SECURELY LOCKED ONTO TRACTOR AND IMPLEMENT SHAFTS.

BE SURE TRACTOR DRAW BAR AND IMPLEMENT HITCH ARE ADJUSTED CORRECTLY.

GREASE TELESCOPING SHAFT REGULARLY TO MINIMIZE THRUST FORCES.

TRANSPORTATION

If you will be transporting your ditcher on a trailer, or on the back of a flatbed truck, make sure the machine is safely secured. It may cause injury to yourself or others, or damage the machine if not

securely tied down. You may wish to place boards under each parking stand and the ripper tooth to prevent damage to the floor of your truck or trailer.

USING THE MODEL 3-PT 42

Each customer will use their machine for different purposes and in slightly different ways. We cannot tell you the proper way to use your machine for your particular purpose, but we can make recommendations for various uses.

BUILDING OR REWORKING A DRAINAGE DITCH OR WATERWAY – The ditcher throws soil and debris to the left side. When possible, it is more efficient if the soil is thrown to both sides of the ditch or waterway. To do this, make your first pass in the center of your ditch or waterway. After turning around, make your second pass in the opposite direction with the right wheel of your tractor in the cut you just made. Operate the machine's impeller wheel 5 to 10 inches deep and travel about 2½ miles per hour. If the ditch or waterway needs to be deeper, start in the center again and work outward. If the ditch needs to be deeper but the soil is unable to be thrown out due to the steepness of the ditch bank, take an additional pass cutting soil off the left bank. This will allow you to make an additional pass traveling in the same direction cutting soil in the bottom of the ditch and make it easier to discharge the soil. Even if you have excess horsepower, it is best not to cut over 10 inches deep. Running 5 to 10 inches deep per pass allows the soil to be broken up sufficiently and dispersed evenly. This same process is used when cleaning a terrace channel.

RESHAPING OR BUILDING A TERRACE – The terracing shield would be lowered to build up your terrace when traveling in one direction and raised scattering the soil back up the hill when traveling the other way. This procedure allows you to increase the water capacity of your terrace without a high terrace ridge and also allows your good topsoil to be distributed back into the area where it is needed.

This machine can be used to clean small roadside ditches, as well. (Remember, the soil is thrown out the left side of the machine and may be distributed over a 60 foot area; rocks and other debris may go farther.) The maximum depth of cut for the 3-PT 42 is approximately 27 inches depending on how your tractor is set up (primarily tire size).

CHECKLIST BEFORE OPERATION

- Read and understand the operator's manual.
- Read all information on the safety decals on the machine.
- Check all bolts to make sure they are tight.
- Before connecting to tractor PTO and as general daily maintenance, check for free movement of driveline and/or slack in chain (*See Free Movement of Driveline section on page 11-12*).



WARNING! Do not operate this machine above 1000 RPM. Excessive speed of PTO can be dangerous and could cause personal injury or damage to your tractor or ditcher.

- Check that all hydraulic hoses are secured and will not interfere with the tractor wheels, PTO shaft or any other part.
- Be sure the PTO is hooked up correctly and will not interfere with the drawbar strap on the tractor.
- Be sure the hitch is secure.
- Check your tractor's hydraulic oil reservoir level (*See Lubrication section on page 10-11*).

- Lubricate machine (*See Lubrication section on page 10-11*).
- Check PTO forward travel. PTO must slide freely and must not bottom out or damage to bearings and shaft may occur.
- Before running machine each season or once per year, remove the shear bolts and lock nuts from the PTO shear yoke assembly to verify that the shear yoke is not corroded and will move freely. Reinstall shear bolts and lock nuts after inspection is complete.

OPERATING INSTRUCTIONS

- 1) Keep all shields in place.
- 2) Keep hands, feet and clothing away from all moving parts.
- 3) Do not allow anyone to ride on this equipment at any time.
- 4) Learn to operate this machine safely. Be alert and observe all safety practices. Machines can be hazardous in the hands of an unfamiliar, untrained or complacent operator. Do not risk injury or death!
- 5) Do not allow anyone to stand on the left side (discharge side) of the machine while it is in operation, whether it is moving or standing still.
- 6) Disengage PTO and shut off tractor engine before servicing, cleaning or clearing a clogged machine.
- 7) When the machine is in operation, keep in mind that soil, roots, rocks and other debris may be thrown 60 feet or more out the discharge side causing damage to an object or harm to a person within its range.
- 8) Be sure to use rubber straps to secure hydraulic hoses to the tractor to keep them from getting into the PTO, otherwise damage may occur.
- 9) Be sure to keep the slip shaft portion (*See page 17 item L9*) of the PTO shaft well lubricated (*See Lubrication section on page 10-11*).
- 10) Do not engage PTO when tractor is running at high RPM. Slow RPM to idle before engaging PTO.
- 11) There are two (2) shear bolts in the PTO shaft (*See page 17 item L4*). If these bolts shear, stop the tractor, disengage the PTO, shut off the tractor engine, and replace the sheared bolts.



WARNING! Shear bolts are designed to break under a specified load. Do not use a stronger bolt than is specified by manufacturer!

- 12) The impeller has two (2) shear bolts (*See page 17 item #M2*). If a rock or other object is fed into the impeller, these bolts may shear. When this happens, stop the tractor, disengage the PTO, shut off the tractor engine, and replace the sheared bolts.
- 13) In normal conditions, when mud or trash becomes a problem, stop forward travel and allow the machine to clear itself before moving ahead.
- 14) When using the terracing shield, adjust the height with the hydraulic cylinder in order to place the discharged soil where it is needed. NOTE: Remember the terracing shield extends 8 feet beyond the left side of machine when attached. Use caution near fences, trees or objects on the road.



WARNING! Do not operate this machine above 1000 RPM. Excessive speed of PTO can be dangerous.



WARNING! Do not exceed recommended horsepower for this machine. Excessive horsepower can be dangerous. 1000RPM-115-225 HP.



WARNING! Do not use this machine with a PTO adaptor. The Agricultural Driveline Manufacturers Association and The Association of Equipment Manufacturers discourage the use of PTO adaptors due to serious safety and operational concerns.

UNHITCHING FROM TRACTOR

- 1) Park on level ground far enough from obstacles so that the terracing shield may be lowered. Lower the parking stands to desired height and pin securely. The ripper tooth on the 3Pt42 is designed to be the front support for the ditcher. Verify that the ripper tooth is intact and shear bolts have not sheared. Gently lower, the ditcher until it is firmly supported on the ground.



WARNING! Always shut tractor engine off before unhooking PTO.

- 2) Pull the PTO safety slide lock (*See item A below*) back on the PTO and remove from tractor spline. Gently lower PTO onto ripper tooth assembly for storage.
- 3) If your ditcher is equipped with an optional terracing shield, lower it, release the hydraulic pressure from the hydraulic lines, and disconnect them from the tractor before pulling forward. If unhitching you ditcher with the terracing shield attached, additional support may be required to keep ditcher from tipping over. **Do not risk personal injury or damage to ditcher from insufficient support.**
- 4) If using a quick hitch, simply release the pins, lower the quick hitch, and slowly pull forward. If not using a quick hitch, release the clip pins, remove the, hitch pins, and slowly pull forward.

MAINTENANCE

If you are not going to use your machine for a period of time, paint the areas where the soil has worn off the paint (for example: cutting edge, paddles).

After approximately every ten (10) hours of use, disconnect from tractor and check for the free movement of driveline and proper chain tension (*See page 9*).

When the cutting edge wears out, unbolt it, and replace it with a new cutting edge.

When the impeller paddles wear, if slightly worn, weld with a hard surfacing rod on each paddle to build them back up. NOTE: The factory installed hard surfacing is equal to a 60-65 Rockwell hardness.

If any component of your ditcher appears to be worn and needs replacement, please contact your dealer for replacement parts.

LUBRICATION

Depending on the tail wheel assembly option chosen, the Model 3-PT 42 has seventeen or eighteen (17-18) grease fittings. Refer to the Illustration below for the location of these fittings, and read carefully the information on lubricating those areas. NOTE: Damage may occur due to lack of lubrication.

A – **DAILY** (before each use) – Grease the following with gun grease: #1-5

1 – The slip joint between PTO halves (remove from tractor, separate halves, apply gun grease all the way around shaft, and reassemble).

2 – The two (2) universal joints at the ends of each PTO half.

3—The two (2) universal joints at the ends of the drive shaft.

4 – The two (2) fittings on the axle pivot assembly.

5—One (1) or two (2) fittings on tail wheel pivot.

Check Daily

6 – Check your tractor's hydraulic oil reservoir level. When new, the ditcher's cylinder will require approximately ¾ gallon of oil. Use quality hydraulic oil specified by the tractor manufacturer.

B – 24 HOURS OF OPERATION

1 – Check the enclosed gearbox oil level. Fill to the oil level check plug (about 8 inches above bottom). On backside of gearbox. The factory installed gearbox oil is Lucas ISO 680 industrial gear oil. Use of this oil is recommended as it is specifically formulated for peak performance of your Hurricane Ditcher.

C – 40–60 HOURS OR 1–2 WEEKS OF OPERATION – Grease the following with gun grease:

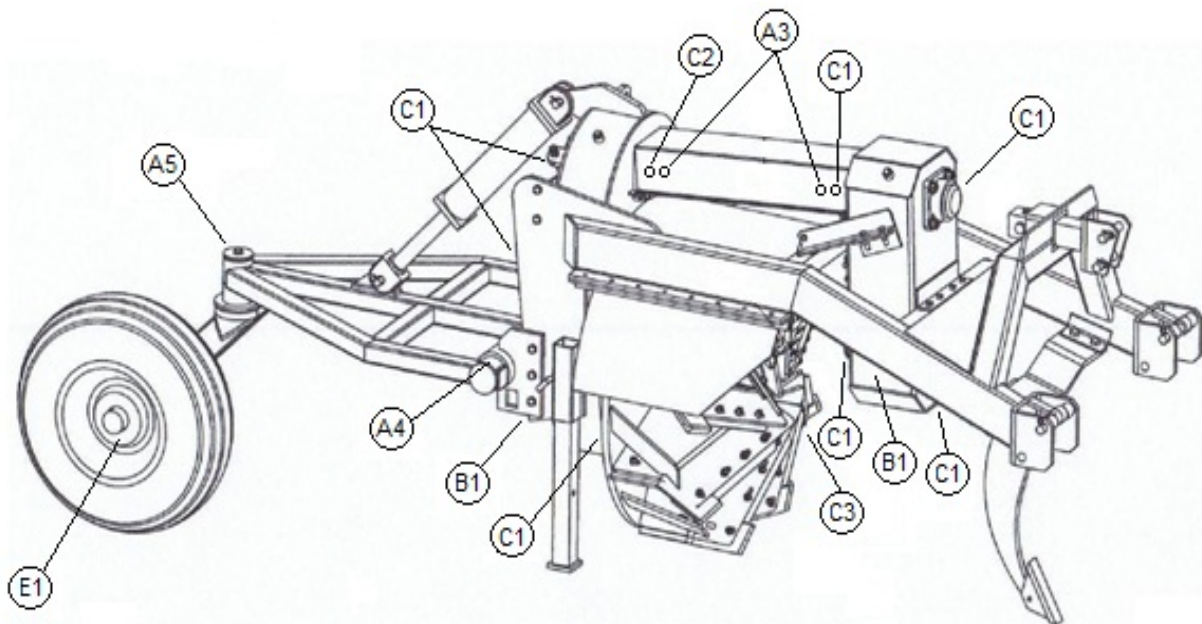
- 1 – Four (4) flange ball bearings on gearbox – 1 pump each. Slowly apply grease as to not overgrease and blow out seals.
- 2 – Two (2) pillow block bearings on drive shaft – 1 pump. Slowly apply grease as to not overgrease and blow out seals.

D – 100 HOURS OF OPERATION

1 – Remove the inspection plate on the back of the gearbox; check for wear on bearings, sprockets, chain, and idler; and adjust the idler assembly as required (*See Idler Adjustment section on page 12*). Reinstall inspection plate using quality grade silicone sealant under the inspection plate.

E – YEARLY

- 1 – Check wheel bearings.



CAUTION! Operation of improperly adjusting machine will cause damage to this machine and possibly to your tractor!

FREE MOVEMENT OF DRIVELINE

To check for free movement of driveline and proper tension on chain:

Step 1 – Grasp the front PTO yoke and quickly rock it back and forth. If the PTO moves before the impeller turns, the chain requires tightening (*See Idler Adjustment section below*).

Step 2 – If the impeller is difficult to move, check for debris lodged in the machine. Remove any interfering debris and return to Step 1. If no interferences are found, continue to Step 3.

Step 3– Remove the inspection plate behind both gearboxes and carefully inspect bearings, sprockets, chain, and idler for damage. If damage is found, repair as needed, reinstall inspection plate using quality grade silicone sealant under the inspection plate and return to Step 1. If no damage is found, continue to Step 4.

Step 4 – Release chain tension until impeller wheel and PTO turn freely (*See Idler Adjustment below*)
IDLER ADJUSTMENT

Remove the inspection plate. Visually inspect the UHMW plastic wear pad for wear or damage. Replace if needed. The idler adjustment assembly has two (1) bolt and three (3) nuts (*See illustration below*). The nuts hold the idler assembly against the chain and act as a jam nut to lock the assembly in position.

Chain needs **MORE** tension:

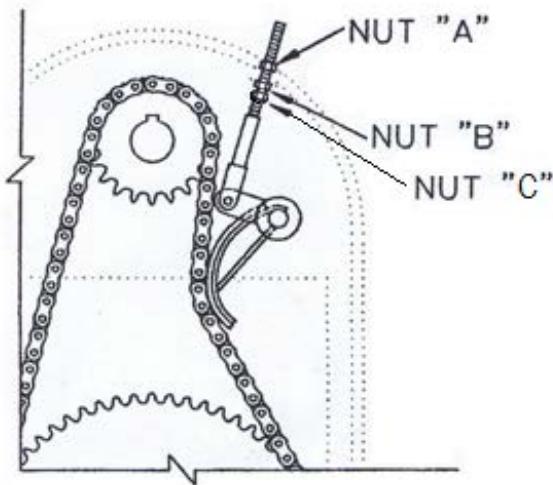
- Loosen Jam Nut C
- Loosen Nut B
- Tighten Nut A to remove any slack and apply slight tension on chain
- Tighten Jam Nut B & C to secure the assembly

Chain needs **LESS** tension:

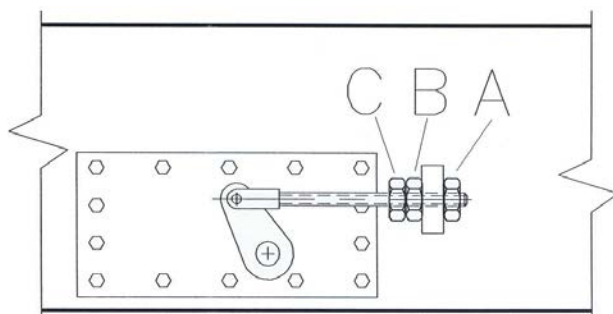
Loosen Nut A until desired tension is reached

Tighten Nut B

Tighten Jam Nut C to secure the assembly



Small Gearbox -- Remove the inspection plate on back of the gearbox. Visually inspect the UHMW plastic wear pad for wear or damage. Replace if needed. The idler adjustment yoke has two (2) nuts (*See illustration below*). Nut A holds the idler assembly against the chain and Nut B acts as a jam nut to lock the assembly in position. Reinstall inspection plate using quality grade silicone sealant under the inspection plate.



Chain needs **MORE** tension:

- Loosen Jam Nut C
- Loosen Nut B
- Tighten Nut A to apply tension on chain
- Tighten Nut B
- Tighten Jam Nut C to secure the assembly

Chain needs **LESS** tension:

- Loosen Nut A until desired tension is reached
- Tighten Nut B

LIMITED WARRANTY

Hurricane Ditcher Company, Inc. shall be considered the “Company” throughout this warranty statement.

The Company warrants each new Company product to be free from defects in material and workmanship. This warranty is applicable only for the normal service life expectancy of the product or components, not to exceed twelve (12) consecutive months from the date of delivery of the new Company product to the end user for personal use. This warranty shall not exceed ninety (90) days from the date of delivery to the end user for commercial use.

Under no circumstances will it cover any merchandise or components thereof, which, in the opinion of the Company, has been subjected to misuse, unauthorized modifications, alterations, an accident, or if repairs have been made with parts other than those obtainable through the Company. The Company in no way warrants tires or other trade accessories since their respective manufacturers warrant these items separately. The Company’s obligation under this warranty shall be limited to repairing or replacing free of charge to the original purchaser, any part that, in the Company’s judgment, shall show evidence of such defect, provided further that such part shall be returned within thirty (30) days from the date of failure to the Company routed through the dealer and distributor from whom the purchase was made, transportation charges prepaid.

This warranty shall not be interpreted to render the Company liable for injury or damages of any kind or nature to person or property. This warranty does not extend to the loss of crops, loss because of delay in harvesting, or any expense or loss incurred for labor, substitute machinery, rental or for any other reason.

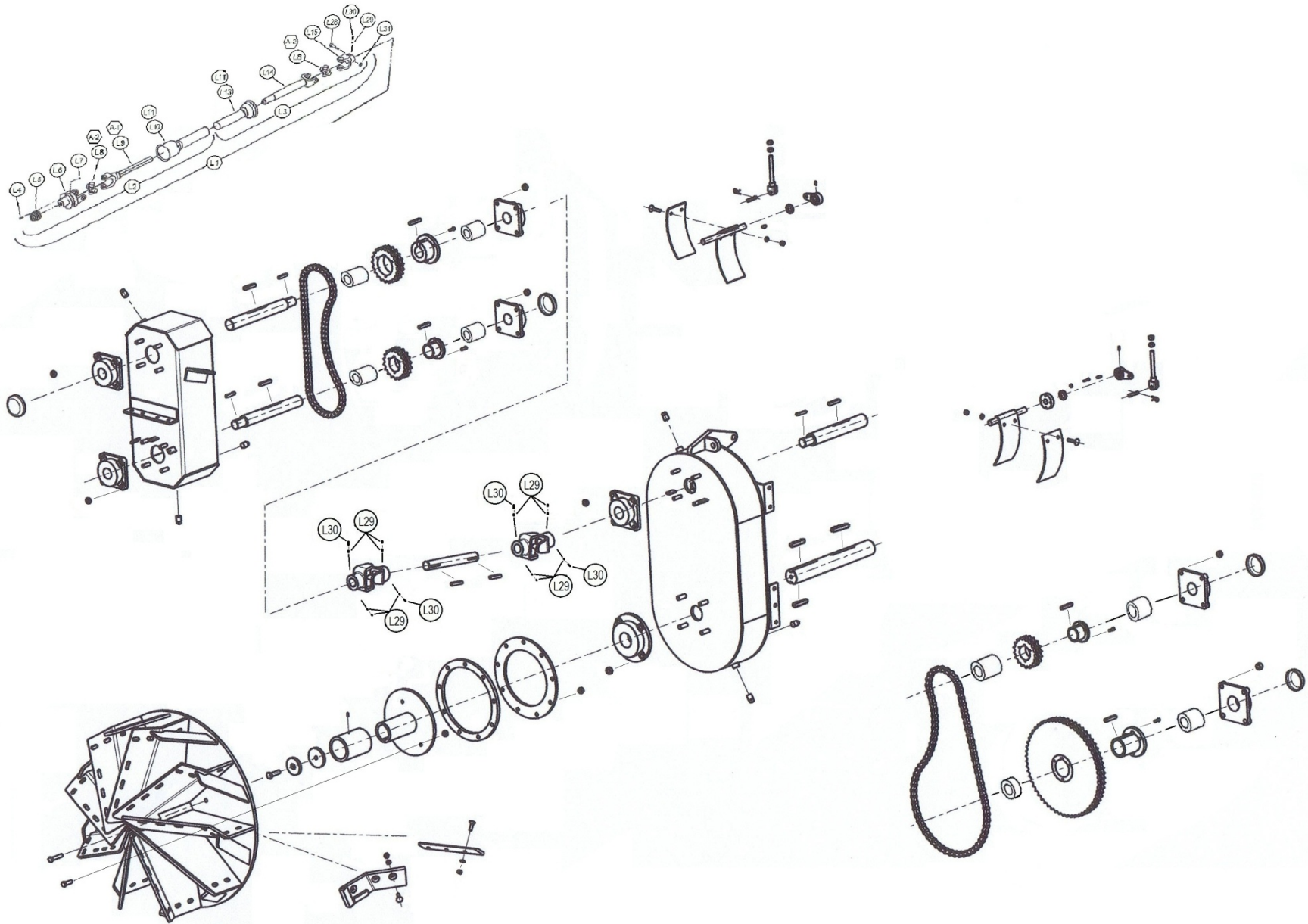
Except as set forth above, the Company shall have no obligation or liability of any kind on the account of any of its equipment and shall not be liable for special or consequential damages. The Company makes no other warranty, expressed or implied, and specifically, the Company disclaims any implied warranty or merchantability or fitness for a particular purpose. Some states or provinces do not permit limitations or exclusions of implied warranties or incidental or consequential damages, so the limitations or exclusions in this warranty may not apply in those areas.

This warranty is subject to any existing conditions of supply, which may directly affect our ability to obtain materials or manufacture replacement parts. The Company reserves the right to make improvements in design or changes in specifications at any time, without incurring any obligation to owners of units previously sold. No one is authorized to alter, modify, or enlarge this warranty. To enhance warranty, replace decals when worn, damaged or missing.

No warranty will be issued for bearing failure resulting from material wrapping around impeller shaft.

This warranty is not valid unless registered with Company within 30 days from the date of delivery to the end user.

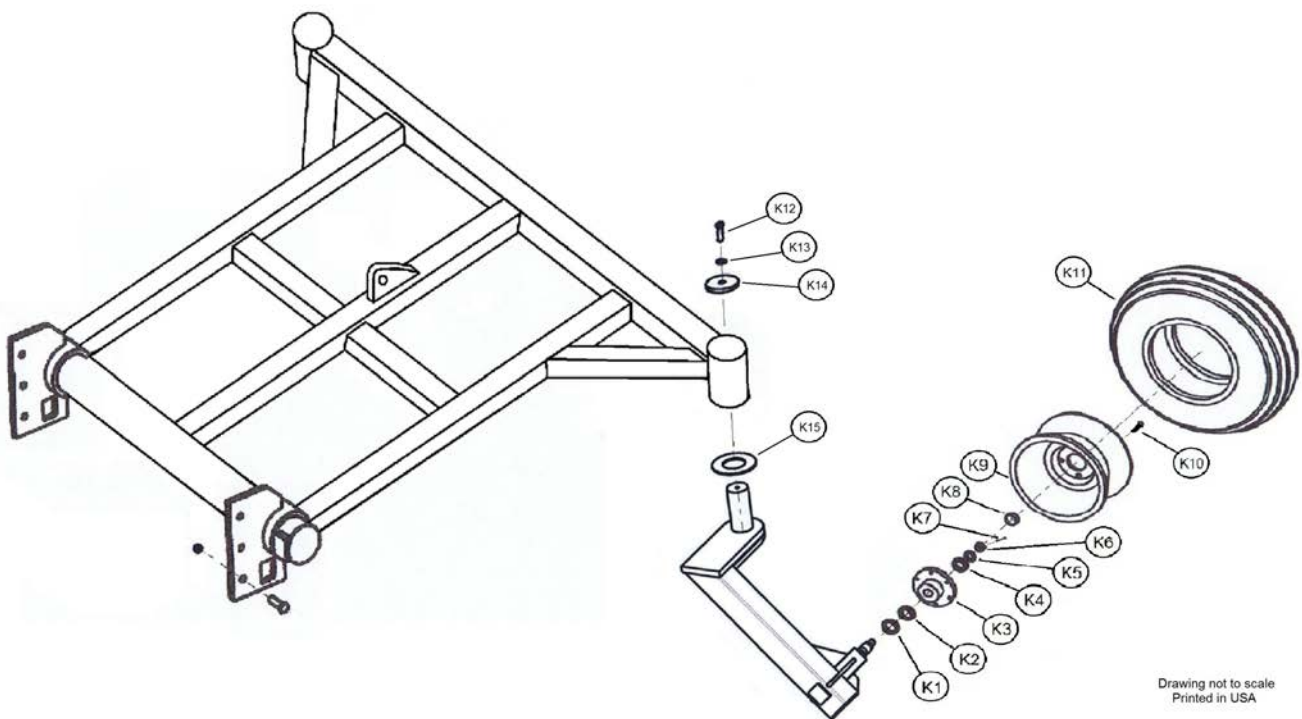
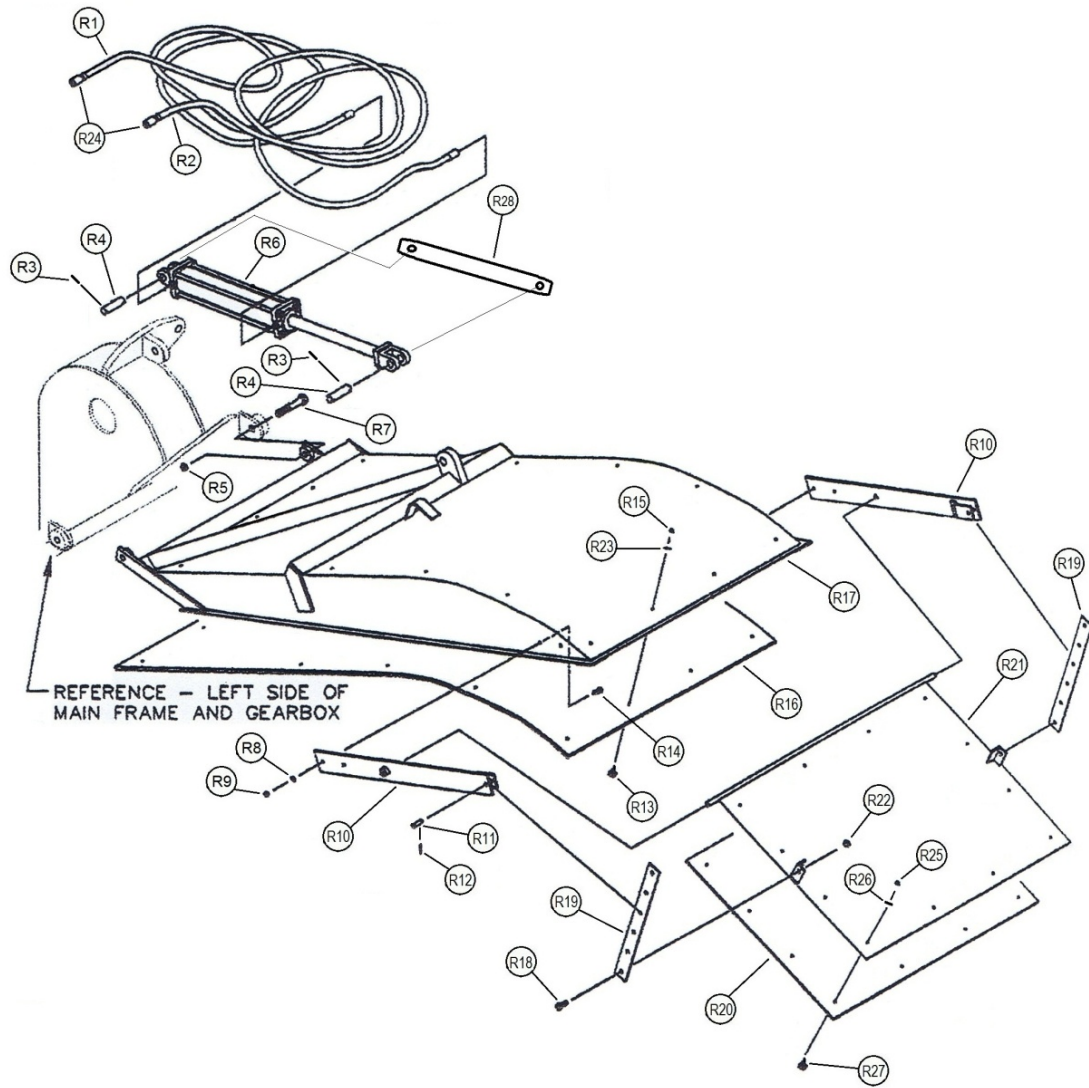
Vincennes, IN 47591
812-886-9663
www.hurricane-ditcher.com
info@hurricane-ditcher.com



ITEM	PART #	DESCRIPTION	QTY
R	004019	TERRACING SHIELD ASSEMBLY (INCL. R1--R7, R13, R15--R17, R23--R24)	
R1	002010	HYDRAULIC HOSE - 3/8 X 13'-6" 2 WIRE WITH 1/2NPT MALE END	1
R2	002015	HYDRAULIC HOSE - 3/8 X 14'-6" 2 WIRE WITH 1/2NPT MALE END	1
R3	002133	HAIR PIN 1/8 X 1-1/2 (INCLUDED WITH R6)	2
R4	002132	CYLINDER MOUNTING PIN 1 X 3 (INCLUDED WITH R6)	2
R5	001234	HEX NYLON INSERT LOCK NUT 3/4-10UNC	2
R6	002110	DOUBLE ACTING HYDRAULIC CYLINDER 3-1/2 X 16	1
R7	001080	HEX HEAD CAP SCREW 3/4-10UNC X 3-1/2 GRADE 5	2
	004020	SHIELD EXTENSION ASSEMBLY (INCL. R8--R12, R14, R18--R22, R25--R27)	
R8	001170	SPLIT LOCK WASHER 3/8	4
R9	001120	HEX NUT 3/8-16UNC GRADE 5	4
R10	004021	SHIELD EXTENSION BRACKET	2
R11	004024	CLEVIS PIN 1/2 X 1-3/4	2
R12	002135	BOWTIE PIN	2
R13	001220	ELEVATOR BUCKET BOLT 1/4-20UNC X 1	14
R14	001005	HEX HEAD CAP SCREW 3/8-16UNC X 1 GRADE 5	4
R15	001110	HEX NUT 1/4-20UNC	14
R16	001715	TERRACING SHIELD UHMW LINER	1
R17	004018	TERRACING SHIELD WELDMENT	1
R18	001025	HEX HEAD CAP SCREW 1/2-13UNC X 1-1/2 GRADE 5	2
R19	004022	SHIELD EXTENSION ADJUSTMENT BAR	2
R20	001716	SHIELD EXTENSION UHMW LINER	1
R21	004016	SHIELD EXTENSION	1
R22	001265	HEX LOCK NUT 1/2-13UNC	2
R23	001165	SPLIT LOCK WASHER 1/4	14
R24	001906	1/2" NPT ISO TIP	2
R25	001110	HEX NUT 1/4-20UNC	12
R26	001165	SPLIT LOCK WASHER 1/4	12
R27	001220	ELEVATOR BUCKET BOLT 1/4-20UNC X 1	12
R28	004014	TERRACING SHIELD CYLINDER LOCK	1
		DOUBLE TAIL WHEEL ASSEMBLY	
K1	001691	GREASE SEAL	2
K2	001693 / 001694	INNER BEARING AND RACE	2
K3	001690	HUB ASSEMBLY (ITEMS K1,K2,K4,K8,K10)	2
K4	001686 / 001696	OUTER BEARING AND RACE	2
K5	001692	RETAINING WASHER	2
K6	001689	SLOTTED HEX NUT 7/8-14UNF	2
K7	001688	COTTER KEY 1/8 X 1-1/2	2
K8	001687	DUST CAP	2
K9	001685	WHEEL 8 X 15 - 6 HOLE	2
K10	001697	WHEEL BOLT 7/16-14UNC	12
K11	002260	TIRE 11L15	2
K12	001405	HEX HEAD CAP SCREW 5/8-18UNF X 2 GRADE 8	2
K13	001180	SPLIT LOCK WASHER 5/8	2
K14	004192	RETAINING WASHER	2
K15	003187	UHMW WASHER	2

UPDATED APRIL 2011

OPTIONAL COMPONENTS ILLUSTRATION



MAINTENANCE LOG

DATE	SERVICE PERFORMED	TECHNICIAN

NOTES

THE HURRICANE

3-PT 42 DITCHER



HURRICANE DITCHER CO., INC.

2425 Cathlinette Rd.
Vincennes, IN 47591

812-886-9663 Fax 812-886-0530

www.hurricane-ditcher.com

E-mail: info@hurricane-ditcher.com

