



DIGGING DEPTH

15'

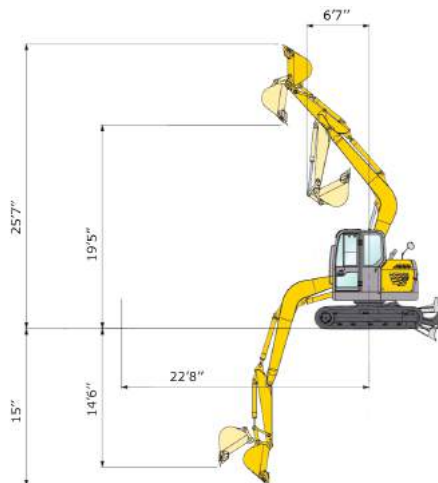
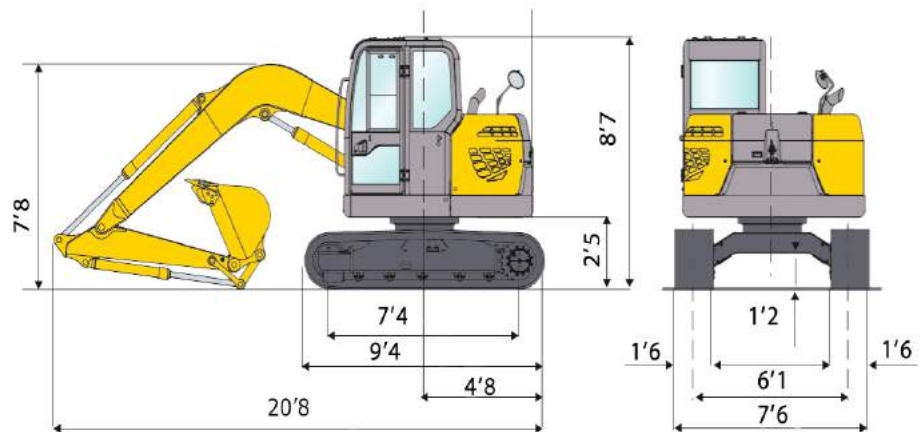
OUTPUT RATING

54,7 HP

OPERATING WEIGHT

19,750 lbs

KATO



HD308 US-7

Working Ranges

A.	Max. digging radius	22'8"
B.	Max. digging depth	15'
C.	Max. digging height	25'7"
D.	Max. vertical wall	14'6"
E.	Max. dumping height	19'5"
F.	Min. swing radius	6'7"

HD HD308 U

MODEL	HD308 US-7
PERFORMANCE	
Bucket Capacity	10 ft ³
Bucket Width	30"
Operating Weight	19,750 lbs
Transport Weight	18,500 lbs
Swing Speed	8 mph
Travel Speed (Low\High)	2 mph \ 3mph
Gradeability	35°
Ground Pressure	5.08 psi
Bucket Digging Force	14,803 lbs
Engine	
Model	Yanmar YDN-4 TNV 98C
Output Rating	54,7 hp
Fual Tank Capacity	34.34 gal
Hydraulic System	
System Pressure	4,264 psi
System Flow	2x22 • 35 gpm
1st Line Max Auxiliary Flow	30 gpm \ 2700 psi
2st Line Max Auxiliary Flow \ Pres- sure	16 gpm \ 3000 psi
Dozer Blade	
Size	1'5"x7'6 ¹ / ₂ "

KATO

EXCAVATORS AND TRACK LOADERS

www.KATOCES.com

400 Production Court

Elizabethtown, KY 42701

(800) 538-1447 | Fax: (270) 737-0419