

# HD9V5



## DIGGING DEPTH

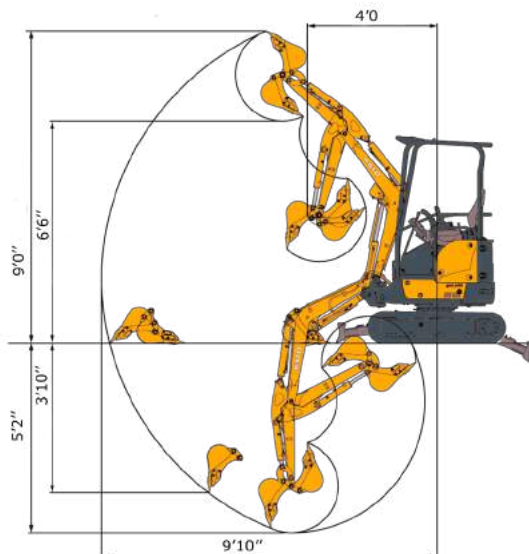
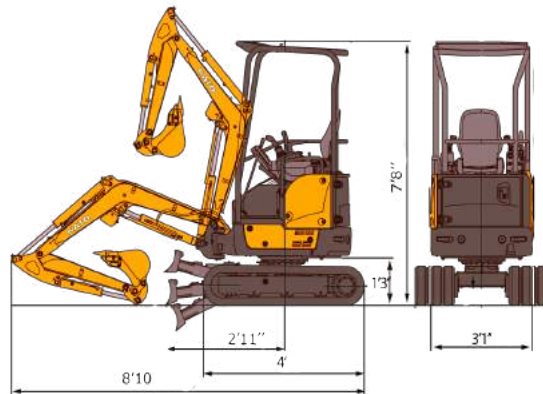
5'2"

## OUTPUT RATING

9,9 HP

## OPERATING WEIGHT

2,400 LBS



### HD9V5

Working Ranges

A.	Max digging radius	9'10"
B.	Max digging depth	5'2"
C.	Max digging height	9'0"
D.	Max dumping height	6'6"
E.	Max vertical digging depth	3'10"
F.	Front turning radius	4'0"
G.	At right boom swing	3'1"

# KATO

# HD9V5

MODEL	HD9V5
<b>PERFORMANCE</b>	
Bucket Capacity	0.77 ft <sup>3</sup>
Bucket Width	12"
Operating Weight	2,400 lbs
Transport Weight	2,169 lbs
Swing Speed	8.0 rpm
Travel Speed (Low/ High)	1.1 mph/ 1.9 mph
Gradeability	30°
Ground Pressure	4.4 psi
Bucket Digging Force	2,340 lbs
<b>Engine</b>	
Model	Kubota D722
Output Rating	9.9 hp / 2000 rpm
Fuel Tank Capacity	2.9 gallons
<b>Boom Swing System</b>	
Type	Offset Boom w/ Hydraulic Cyl.
Swing Angle (L / R)	50° / 70°
<b>Hydraulic System</b>	
Total Hydraulic System Flow	5.9 gpm
Max Auxiliary Hydraulic Flow	4 gpm
<b>Dozer Blade</b>	
Size	2'5" x 8.6"
Lift Above / Drop Below Ground	8.6" x 6"

# KATO

EXCAVATORS AND TRACK LOADERS

[www.KATOCES.com](http://www.KATOCES.com)

400 Production Court

Elizabethtown, KY 42701

(800) 538-1447 | Fax: (270) 737-0419