

HD25V5



DIGGING DEPTH

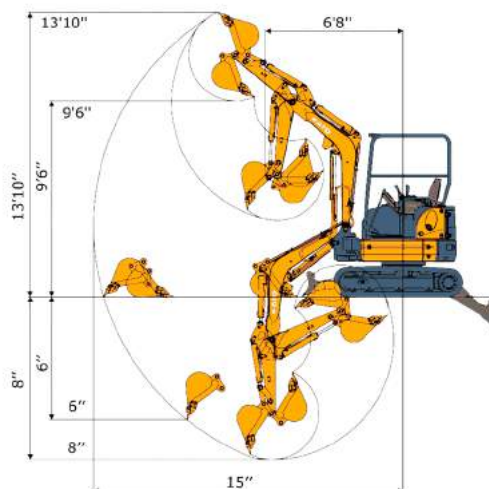
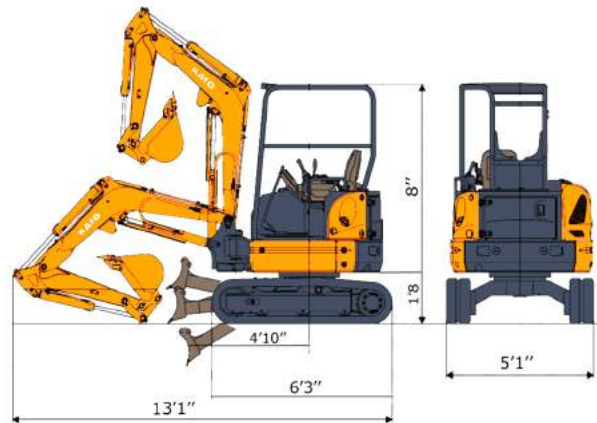
8'

OUTPUT RATING

23.6HP

OPERATIONG WEIGHT

5,919 LBS



KATO

25V5

Working Ranges

A.	Max digging radius	15'
B.	Max digging depth	8'
C.	Max vertical dig depth	6'
D.	Max dumping height	9'6"
E.	Max digging height	13'10"
F.	Min. front-turn radius	6'8"
G.	At right boom swing	5'9"

HD25V5

MODEL	HD25V5
PERFORMANCE	
Bucket Capacity	2.8ft ³
Bucket Width	18"
Operating Width	5,919 lbs
Transport Weight	5,512 lbs.
Swing Speed	9 rpm
Travel Speed (Low/ High)	1.5 mph / 2.7 mph
Gradeability	30°
Ground Pressure	4.5 psi
Bucket Digging Force	4,721 lbs
Engine	
Model	Kubota D1305-E4B
Output Rating	23.6 hp / 2,400rpm
Fuel Tank Capacity	11 gallons
Boom Swing System	
Type	Offset Boom w/ Hydraulic Cyl.
Swing Angle (L / R)	50° / 80°
Hydraulic System	
Total Hydraulic System Flow	20 gpm
Max Auxiliary Hydraulic Flow	11 gpm
Dozer Blade	
Size	5'1"x1'3"
Lift Above / Drop Below Ground	1'2" / 1'5"

KATO

EXCAVATORS AND TRACK LOADERS

www.KATOCES.com

400 Production Court

Elizabethtown, KY 42701

(800) 538-1447 | Fax: (270) 737-0419