

# HD30V5



## DIGGING DEPTH

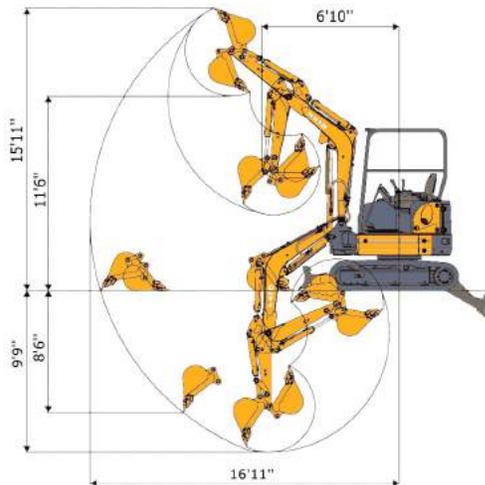
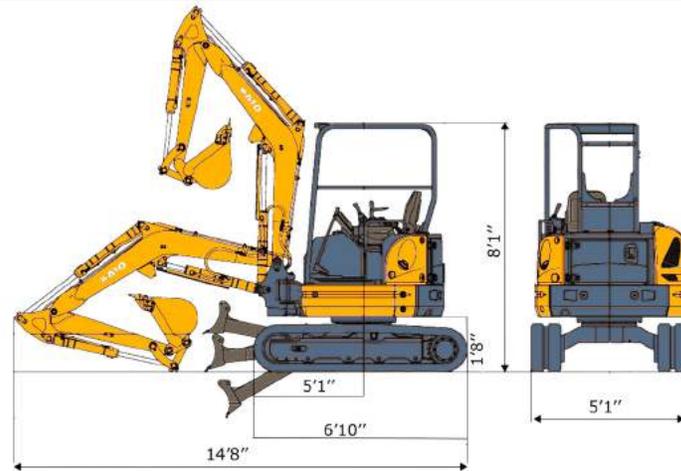
9'9"

## OUTPUT RATING

23HP

## OPERATIONG WEIGHT

7,084 LBS



### 30V5

#### Working Ranges

A.	Max digging radius	16'11"
B.	Max digging depth	9'9"
C.	Max vertical dig depth	8'6"
D.	Max dumping height	11'6"
E.	Max digging height	15'11"
F.	Min. front-turn radius	6'10"
G.	At right boom swing	6'

# KATO

# HD30V5

<b>MODEL</b>	<b>HD30V5</b>
<b>PERFORMANCE</b>	
Bucket Capacity	3.2 ft <sup>3</sup>
Bucket Width	18"
Operating Weight	7,084 lbs
Transport Weight	6,658 lbs
Swing Speed	9 rpm
Travel Speed (Low/ High)	1.7 / 2.9 mph
Gradeability	30°
Ground Pressure	4.1 psi
Bucket Digging Force	6,548 lbs
<b>Engine</b>	
Model	YANMAR 3TNV88F
Output Rating	23 hp @ 2200 rpm
Fuel Tank Capacity	11 gal.
<b>Boom Swing System</b>	
Type	Offset Boom w/ Hydraulic Cyl.
Swing Angle (L / R)	50° / 80°
<b>Hydraulic System</b>	
Total Hydraulic System Flow	25 gpm
Max Auxiliary Hydraulic Flow	15 gpm
<b>Dozer Blade</b>	
Size	1'3" x 5'1"
Lift Above / Drop Below Ground	1'3" / 1'6"

# KATO

**EXCAVATORS AND TRACK LOADERS**

[www.KATOCES.com](http://www.KATOCES.com)

400 Production Court

Elizabethtown, KY 42701

(800) 538-1447 | Fax: (270) 737-0419