

HD35V5



DIGGING DEPTH

10'11"

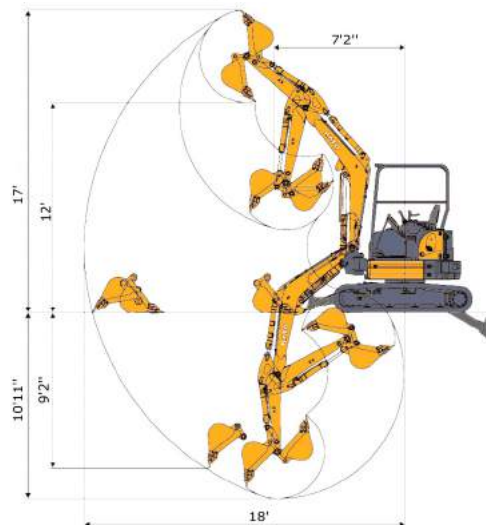
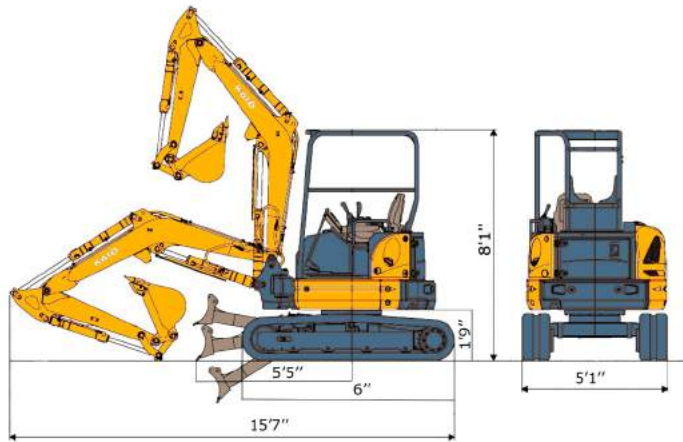
OUTPUT RATING

23HP

OPERATIONG WEIGHT

8,082 LBS

KATO



35V5

Working Ranges

A.	Max digging radius	17'
B.	Max digging depth	10'11"
C.	Max vertical dig depth	9'2"
D.	Max dumping deight	12'
E.	Max digging deight	17'
F.	Min. front-turn radius	7'2"
G.	At right boom swing	6'3"

HD35V5

MODEL	HD35V5
PERFORMANCE	
Bucket Capacity	3.5 ft ³
Bucket Width	24"
Operating Weight	8,082 lbs
Transport Weight	7,606 lbs
Swing Speed	9 rpm
Travel Speed (Low/ High)	1.7 / 2.9 mph
Gradeability	30°
Ground Pressure	4.4 psi
Bucket Digging Force	7,688 lbs
Engine	
Model	YANMAR 3TNV88F
Output Rating	23 hp @ 2200 rpm
Fuel Tank Capacity	11 gal.
Boom Swing System	
Type	Offset Boom w/ Hydraulic Cyl.
Swing Angle (L / R)	50° / 80°
Hydraulic System	
Total Hydraulic System Flow	25 gpm
Max Auxiliary Hydraulic Flow	16 gpm
Dozer Blade	
Size	1'3" x 5'1"
Lift Above / Drop Below Ground	1'3" / 1'6"

KATO

EXCAVATORS AND TRACK LOADERS

www.KATOCES.com

400 Production Court

Elizabethtown, KY 42701

(800) 538-1447 | Fax: (270) 737-0419