

HD60V5



DIGGING DEPTH

13'3"

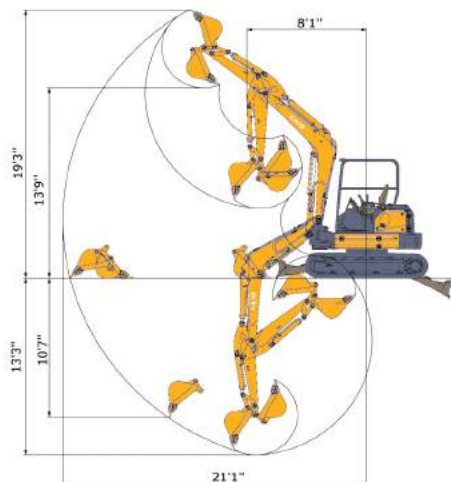
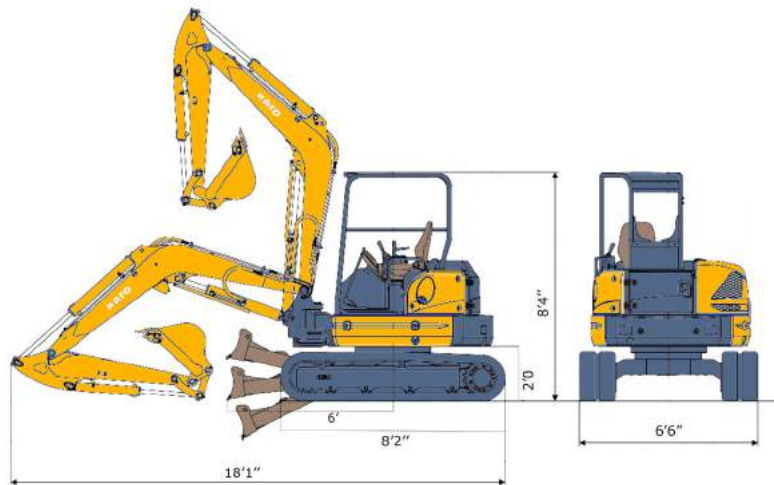
OUTPUT RATING

43.5 HP

OPERATING WEIGHT

12,351 LBS

KATO



60V5		Working Ranges
A.	Max digging radius	21'1"
B.	Max digging depth	13'3"
C.	Max vertical dig depth	10'7"
D.	Max dumping height	13'9"
E.	Max digging height	19'3"
F.	Min. front-turn radius	8'1"
G.	At right boom swing	7'

MODEL	HD60V5
PERFORMANCE	
Bucket Capacity	6.4 ft ³
Bucket Width	24"
Operating Weight	12,351 lbs.
Transport Weight	11,839 lbs.
Swing Speed	9.3 rpm
Travel Speed (Low/ High)	1.8 / 2.9 mph
Gradeability	30°
Ground Pressure	4.5 psi
Bucket Digging Force	10,165 lbs.
Engine	
Model	Kubota V2403-CR-E5B
Output Rating	43.5 hp @ 2400 rpm
Fuel Tank Capacity	17.4 gallons
Boom Swing System	
Type	Offset Boom w/ Hydraulic Cyl.
Swing Angle (L / R)	50° / 80°
Hydraulic System	
Total Hydraulic System Flow	43 gpm
Max Auxiliary Hydraulic Flow	16 gpm
Dozer Blade	
Size	1'3" x 6'6"
Lift Above / Drop Below Ground	1'6" / 1'5"

HD60V5

KATO
EXCAVATORS AND TRACK LOADERS

www.KATOCES.com

400 Production Court

Elizabethtown, KY 42701

(800) 538-1447 | Fax: (270) 737-0419